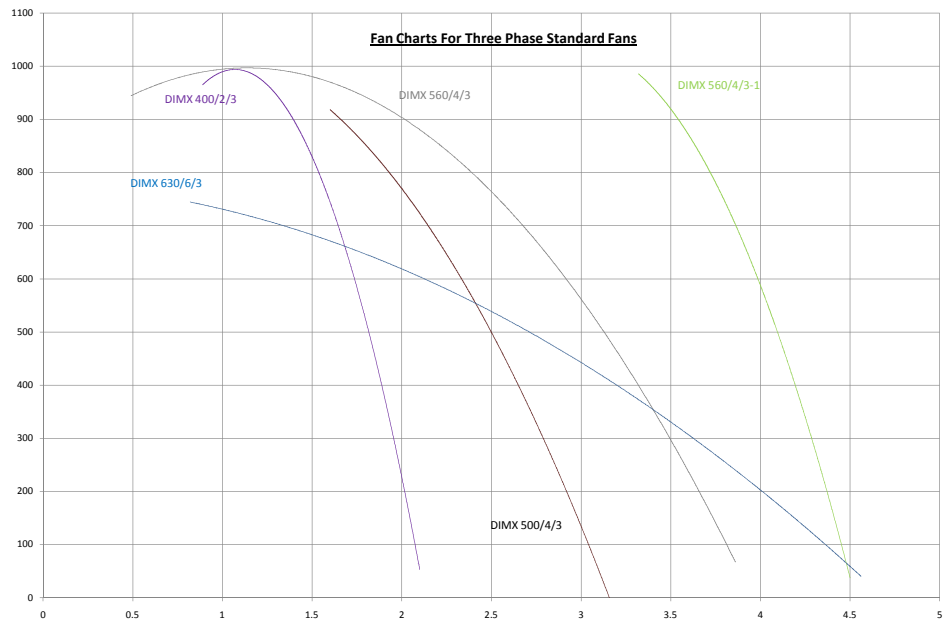
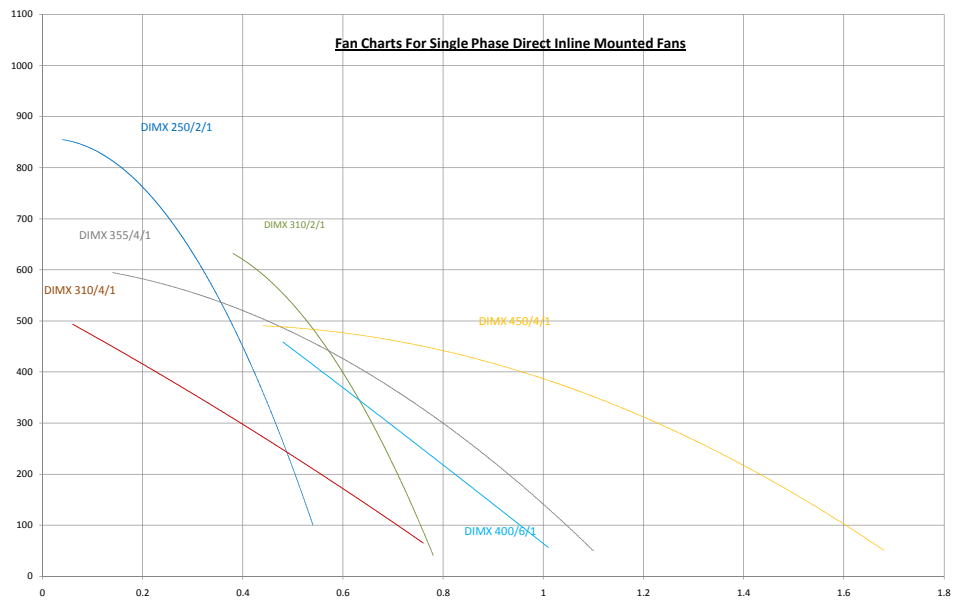


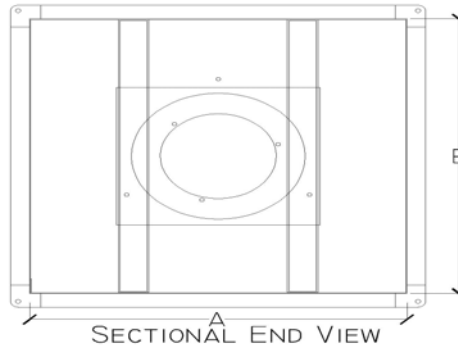


DIMX - Direct Inline Mounted Extract Fan Selection



Selection Chart

		Fan										
		250/2/1	310/4/1	310/2/1	355/4/1	400/6/1	400/2/3	450/4/1	500/4/3	560/4/3	560/4/3-1	630/6/3
M3/s e Pa	50		0.76	0.78	1.1	1.01	2.1	1.68	3.17		3.86	
	100	0.54	0.71	0.75	1.04	0.82	2.08	1.6	3.04	4.5	3.81	4.56
	150	0.52	0.64	0.74	0.985	0.92	2.03	1.48	2.97	4.47	3.71	4.39
	200	0.5	0.59	0.7	0.93	0.87	2	1.43	2.88	4.45	3.61	4.14
	250	0.485	0.49	0.69	0.875	0.78	1.9	1.38	2.814	4.38	3.53	3.97
	300	0.47	0.37	0.64	0.82	0.73	1.95	1.28	2.73	4.31	3.46	3.82
	350	0.45	0.29	0.63	0.725	0.63	1.932	1.08	2.688	4.26	3.41	3.61
	400	0.43	0.19	0.61	0.63	0.57	1.9	0.94	2.62	4.21	3.36	3.41
	450	0.4	0.18	0.56	0.54	0.48	1.88	0.69	2.58	4.135	3.26	3.29
	500	0.37	0.06	0.51	0.47		1.85	0.44	2.52	4.06	3.17	2.89
	550	0.34		0.48	0.29		1.83		2.45	4.035	3.07	2.69
	600	0.31		0.38	0.14		1.78		2.394	4.01	2.97	2.44
	650	0.285		0.45			1.68		2.29	3.98	2.895	2.24
	700	0.26					1.66		2.18	3.96	2.82	1.81
	750	0.22					1.58		2.08	3.93	2.57	1.18
	800	0.17					1.53		1.911	3.91	2.37	0.82
850	0.04					1.48		1.79	3.81	2.03		
900						1.33		1.6	3.71	1.7		
950						1.13			3.515	1.09		
1000						0.89			3.32	0.49		



Dimensions

Fan Model	A	B	Length
DIMX 250/2/1	500	500	350
DIMX 310/4/1	500	500	350
DIMX 310/2/1	500	500	350
DIMX 355/4/1	550	550	372
DIMX 400/6/1	550	550	372
DIMX 400/2/3	550	550	372
DIMX 450/4/1	600	600	450
DIMX 500/4/3	750	750	510
DIMX 560/4/3	950	950	600
DIMX 560/4/3-1	950	950	600
DIMX 630/6/3	950	950	700

Technical Data

Technical Data

Fan Specs

Fan Model	Motor KW	Phase	SC Amps	FLC Amps	dB(A) @3ms	r.p.m	Speed
DIMX 250/2/1	0.49	1	Soft Start	3.1	71	3390	SP1
DIMX 310/4/1	0.15	1	Soft Start	1.1	61	1925	SP1
DIMX 310/2/1	0.485	1	Soft Start	2.9	63	2430	SP1
DIMX 355/4/1	0.45	1	Soft Start	2.9	59	1710	SP1
DIMX 400/6/1	0.355	1	Soft Start	2.2	58	1300	SP1
DIMX 400/2/3	1.85	3	Soft Start	2.9	69	2180	SP1
DIMX 450/4/1	0.64	1	Soft Start	2.9	59	1350	SP1
DIMX 500/4/3	2.7	3	Soft Start	4.3	71	1700	SP1
DIMX 560/4/3	4.7	3	Soft Start	7.3	80	1750	SP1
DIMX 560/4/3-1	2.96	3	Soft Start	4.6	75	1500	SP1
DIMX 630/6/3	2.8	3	Soft Start	4.2	72	1200	SP1

All motors are rated IP54

Sound Data

In Duct Sound Power Level Spectrum

	63	125	250	500	1000	2000	4000	8000	dB(A) @3ms
DRMX 250/2/1	63	74	70	83	70	67	67	65	71
DRMX 310/4/1	49	64	60	58	56	53	52	48	61
DRMX 310/2/1		73	70	69	68	66	61	52	63
DRMX 355/4/1	60	71	68	68	62	61	58	51	59
DRMX 400/6/1	59	70	67	67	61	60	57	50	58
DRMX 400/2/3	65	63	74	75	75	72	66	62	69
DRMX 450/4/1	61	62	62	64	64	63	57	49	59
DRMX 500/4/3	68	70	76	76	77	76	70	63	71
DRMX 560/4/3	73	79	84	86	86	83	78	76	80
DIMX 560/4/3-1	70	77	79	81	81	78	73	70	75
DRMX 630/6/3		86	83	77	77	75	71	67	72

REDUCTION IN SPEED = REDUCTION IN NOISE

By reducing the speed of the fan, you expect to see the noise levels reduced by the following amounts:

Reduction DB	Percentage speed reduction (%)				
	50%	40%	30%	20%	10%
	15	12	5	4	2

SPEED CONTROLLER

We have two options of speed controller available, one which is fully adjustable and allows for complete modulation of the fan speed, with this control you can also set the minimum and maximum speed for which the fan can be adjusted to.

The second is a 5 position controller allowing the adjustment of the fan speed at five set points. Both operate from a 0-10v signal.

Spec

Type	Supply Voltage (VDC)	Max Current Draw (mA)	Perm.Amb. Temp (Ma)	Mass (KG)	L	W	H	Knob
Full Modulating Controller	10	1.1	50	0.1	65	65	58	26
5 Step Controller	10	1.1	50	0.1	95	95	58	26

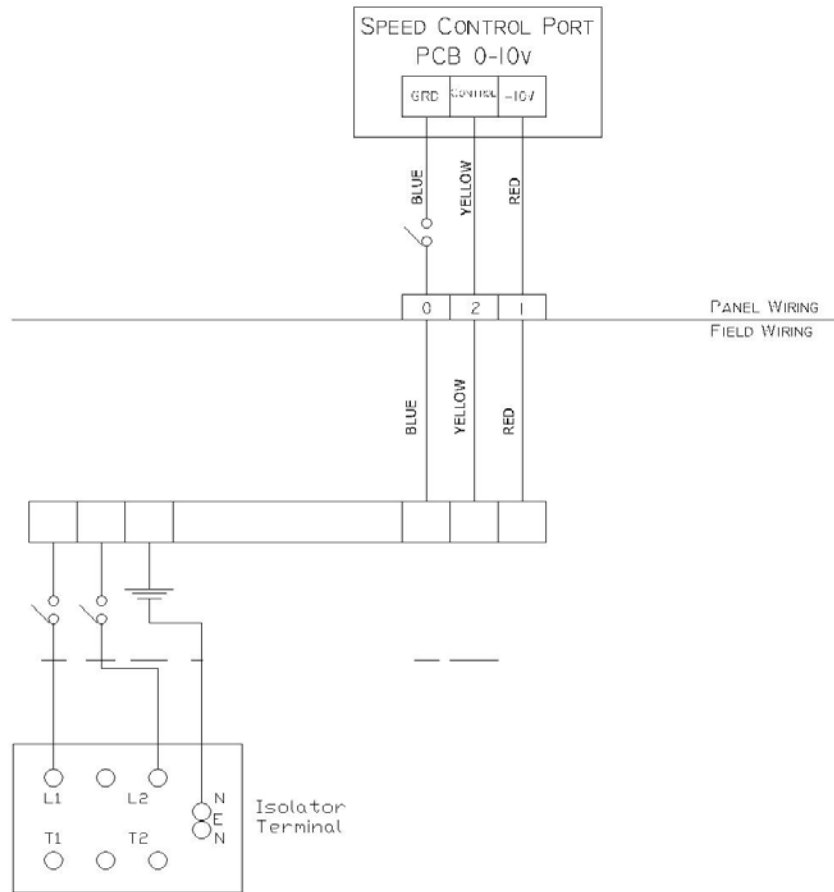


Fully Adjustable

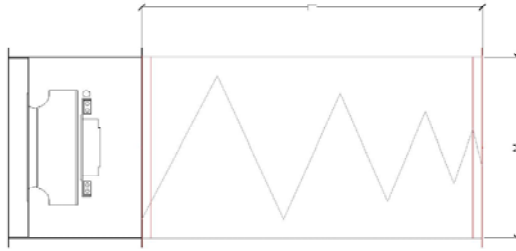


5 Step Controller

Wiring Diagram



All fans are pre-wired in house to an external mounted isolator IP65 rated.



Standard Fan Attenuators 600mm Long
(Kit required for silencer option/side discharge unit, Placed at time of order)

Fan Model	Attenuator Size		Mid-Range Vol (M3/s)	Pa	Approx Weight(kg)	dBA Level at 3m
	W	H				
DIMX 250/2/1	500	500	0.34	3	32	50
DIMX 310/4/1	500	500	0.37	4	32	32
DIMX 310/2/1	500	500	0.55	9	32	42
DIMX 355/4/1	550	550	0.63	5	35	40
DIMX 400/6/1	550	550	0.73	7	35	40
DIMX 400/2/3	550	550	1.95	47	35	50
DIMX 450/4/1	600	600	1.03	24	41	35
DIMX 500/4/3	750	750	2.01	12	50	58
DIMX 560/4/3	950	950	3.2	27	71	65
DIMX 560/4/3-1	950	950	2.49	16	71	60
DIMX 630/6/3	950	950	2.76	20	71	60

Standard Fan Attenuators 900mm Long
(Kit required for silencer option/side discharge unit, Placed at time of order)

Fan Model	Attenuator Size		Mid-Range Vol (M3/s)	Pa	Approx Weight(kg)	dBA Level at 3m
	W	H				
DIMX 250/2/1	500	500	0.34	4	45	42
DIMX 310/4/1	500	500	0.37	4	45	25
DIMX 310/2/1	500	500	0.55	10	45	35
DIMX 355/4/1	550	550	0.63	5	48	35
DIMX 400/6/1	550	550	0.73	7	48	35
DIMX 400/2/3	550	550	1.95	50	48	42
DIMX 450/4/1	600	600	1.03	26	56	30
DIMX 500/4/3	750	750	2.01	12	68	53
DIMX 560/4/3	950	950	3.2	29	97	60
DIMX 560/4/3-1	950	950	2.48	17	97	55
DIMX 630/6/3	950	950	2.76	22	97	53

Standard Fan Attenuators 1250mm Long
(Kit required for silencer option/side discharge unit, Placed at time of order)

Fan Model	Attenuator Size		Mid-Range Vol (M3/s)	Pa	Approx Weight(kg)	dBA Level at 3m
	W	H				
DIMX 250/2/1	500	500	0.34	4	59	37
DIMX 310/4/1	500	500	0.37	5	59	22
DIMX 310/2/1	500	500	0.55	10	59	30
DIMX 355/4/1	550	550	0.63	6	64	30
DIMX 400/6/1	550	550	0.73	7	64	30
DIMX 400/2/3	550	550	1.95	53	64	38
DIMX 450/4/1	600	600	1.03	28	74	23
DIMX 500/4/3	750	750	2.01	13	90	47
DIMX 560/4/3	950	950	3.2	31	127	55
DIMX 560/4/3-1	950	950	2.48	19	127	50
DIMX 630/6/3	950	950	2.76	23	127	50